

1 REFERENCE POINT

1.1 Tasks:

1. Add a switch to detect the reference point of the barrier gate. Let the reference point be the closed position of the barrier.

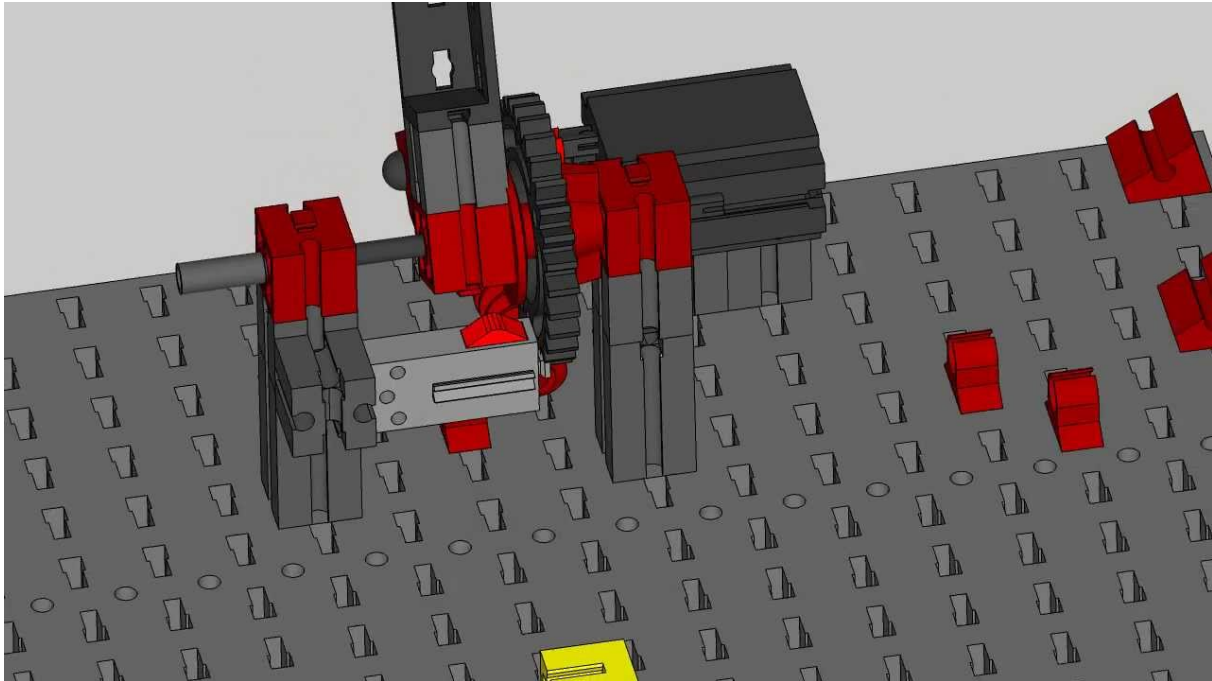


Figure 1: Adding the reference point key.

2. Connect the switch to the controller according to schematics.
3. Change the program to lower the barrier gate to reference switch position.

1.2 Questions:

1. Why is detection of reference point important?
2. <+>

1.3 Summary

1.3.1 <++>

<++>

1.4 Issues:

1.4.1 <++>

<++>